



959 2016 - Race Only

FITTING INSTRUCTIONS TO BE FITTED BY A QUALIFIED TECHNICIAN



THIS SHEET INCLUDES FITTING INSTRUCTIONS FOR THE FOLLOWING PARTS:

Secondary Alternator Cover Part No. EC-899-2014-1-GBR / Secondary Clutch Cover Part No. EC-1199-2012-2-GBR



SECONDARY ALTERNATOR COVER PART NO. EC-899-2014-1-GBR

1. Remove the left hand side fairing panel.
2. Remove the 4 standard bolts as shown in Fig 1.
3. Place the secondary alternator cover against the standard alternator.
4. Insert the 4 supplied bolts and tighten to 8Nm as per Manufacturer's recommendations.
DO NOT OVERTIGHTEN
5. Replace the left hand side fairing panel.

Please note: For models 959 2016-2019 & Panigale V2 2020, the fairing will need modification & starter solenoid moving.

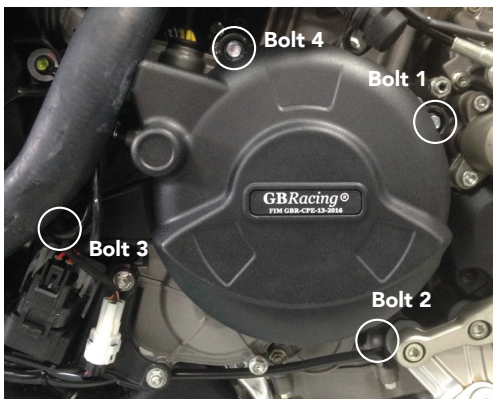
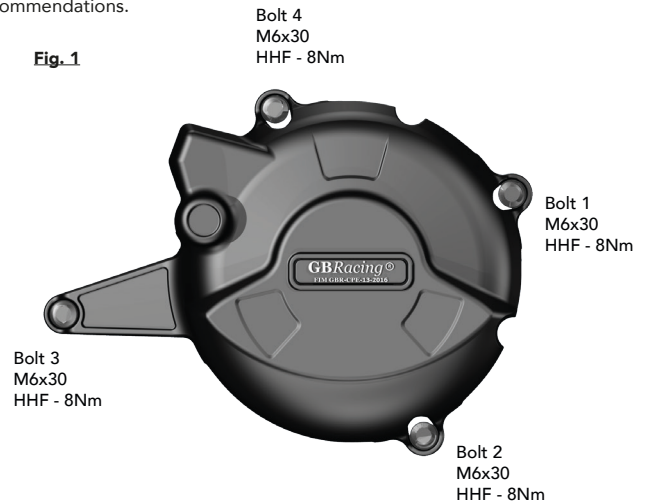
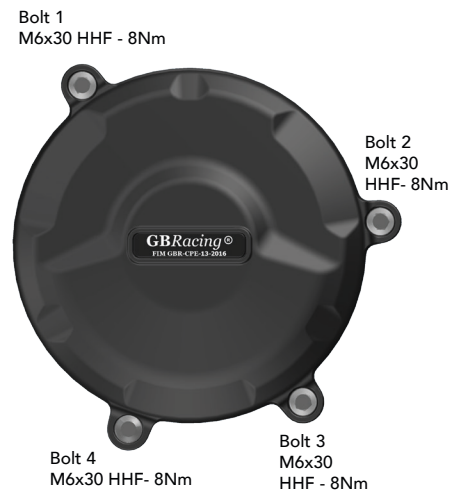
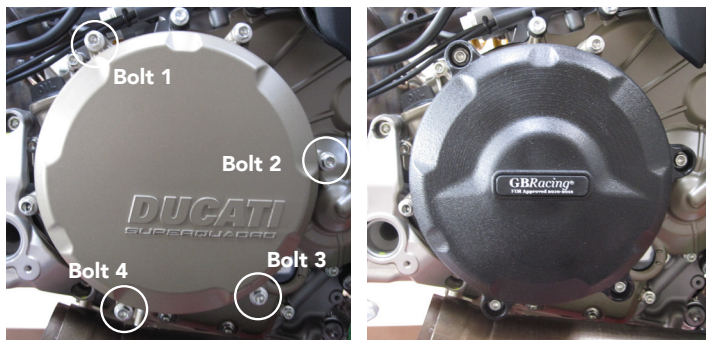


Fig. 1



SECONDARY CLUTCH COVER PART NO. EC-1199-2012-2-GBR

1. Remove right hand side fairing panel.
2. Remove 4 existing bolts from the Clutch cover, shown as position Bolt 1, 2, 3 & 4.
3. Place the Secondary Clutch Cover over the stock cover.
4. Assemble 4 replacement bolts loosely in the correct position as shown.
Note: Must use thread lock
5. Tighten bolts to a Torque of 8Nm as per manufacturer's recommendations.
DO NOT OVERTIGHTEN.
6. Replace right hand side fairing panel.



Engine Cover Set: EC-959-2016-SET-GBR

EC-899-2014-1-GBR, EC-1199-2012-2-GBR

www.GBRacing.eu